

# CHEM-TECH

## Series CTP

**PULSAFEEDER®**  
A Unit of IDEX Corporation

The *Series CTP* offers a bold new look in reliability and value and is available in three control options offering feed rates up to 56 GPD with pressures to 125 PSI.

The *Series CTP-A* includes a percentage dial for reliable operation and adjustable feed rates in 5-second increments.

The *Series CTP-AE* is a 100% fixed rate economy model with an on-off dial for applications requiring constant feed and easy use. Both *Series CTP-A* and *CTP-AE* models are available with optional 7-day timers for biocide feed or other timed applications.

For applications requiring precise feed rates, the *Series CTP-D* offers digital control from 10% to 100% up to 56 GPD. Adjustable in 1% increments, the *Series CTP-D* provides maximum control for demanding applications.

Simplex and duplex head configurations are both available. Please refer to the reverse side for *Series CTP* specifications.

### Operating Benefits

**Simplified operation.** Push-button prime switch and on-off dial provide quick, safe start-up and convenience. The simplified control pad allows easy incremental adjustment and feed rate control.

**Reliable operating performance.** Self-priming, automatic de-gassing design assures that the metering pump won't airlock and will deliver constant feed. High-strength Norprene® peristaltic tubing is rated for consistent feed over periods of extended use.

**Low maintenance.** No tube adjustment is required. Roller assembly is self-lubricating. Rugged, chemical-resistant ABS housing and heavy-duty gearmotor are engineered for years of maintenance-free service in demanding applications.

### Versatility

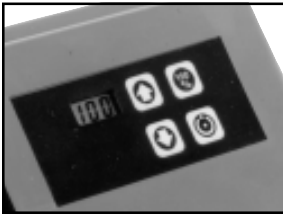
**Meter a wide variety of chemicals.** Automatic de-gassing allows trouble-free metering of sodium hypochlorite, peroxide and other gas producing solutions. Self-priming, clear polycarbonate head assembly with high-strength peristaltic tubing maximizes safety when metering acids and other caustic solutions.

Immediate installation and start-up. All models are delivered with a plug-in power cord (in a wide choice of configurations) and the peristaltic tubing installed. Standard accessories included with each model are strainer assembly, injection fitting, discharge and suction tubing.



technology  
innovation diversity  
excellence

# CHEM-TECH Series CTP Specifications



Series CTP-D

## Series CTP-D

Digital control with percentage output display available with capacities up to 56 GPD. Provides precise adjustment of feed rate from 10% to 100%.



Series CTP-AE

## Series CTP-AE

Economical fixed rate model features simple on-off switch for applications requiring constant feed.

## Mechanical Timer

Programmable 7-day timer enables scheduled metering for biocides or other timed applications. On-off settings provided in 2-hour increments.



Mechanical Timer

## Solid-State Electronic Timer

7-day timer is programmable in 1 minute increments, with up to 8 events per day, suitable for a wide range of timed applications.

## Duplex Models

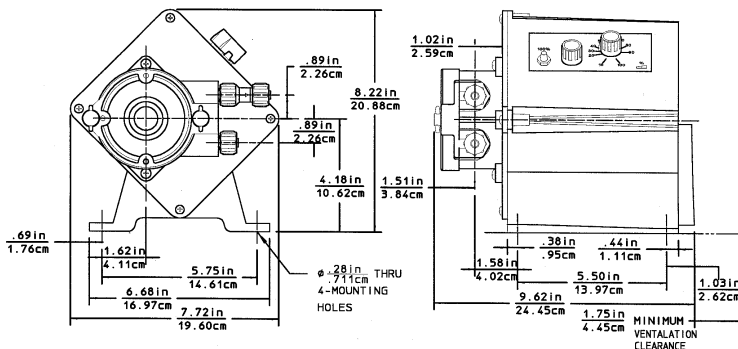
Duplex wetted ends facilitate metering of two different solutions simultaneously. Mixed flow rates available.



Solid State Electronic Timer

## KOPkit®

Convenient package of recommended replacement parts. Includes peristaltic tubing, head assembly, and other items that normally require preventive maintenance.



## Model Number Selection Table

CTP□□□□□-PAP1-XXXXX

Position: 1 2 3 4 5 6 7 8 9 10 11 12 13 14 15 16 17

①-③

**CTP = Chem-Tech Peristaltic**

④

### Motor Type

**A** = Series CTP-A / AE Simplex  
**B** = Series CTP-A / AE Duplex  
**D** = Series CTP-D Simplex  
**E** = Series CTP-D Duplex

⑤-⑥

### Tubing

Select from chart below, for size and material with proper pressure rating

| MAX PRESSURE PSIG/BAR | SERIES CTP-A / AE, 30 RPM |       |        |        |  |
|-----------------------|---------------------------|-------|--------|--------|--|
|                       | FLOW - GPD/LPH            |       |        |        |  |
|                       | 3.5/55                    | 8/1.3 | 13/2.0 | 30/4.7 |  |
| 125/8.6               | 2H                        |       |        |        |  |
| 110/7.6               |                           | 3H    |        |        |  |
| 100/5.9               |                           |       | 4H     |        |  |
| 80/5.5                | 2L                        |       |        | 6H     |  |
| 70/4.8                |                           | 3L    |        |        |  |
| 60/4.1                | 2F                        |       |        |        |  |
| 50/3.4                |                           | 3F    | 4L     |        |  |
| 40/2.8                |                           |       | 4F     | 6L     |  |

| MAX PRESSURE PSIG/BAR | SERIES CTP-D, 60 RPM |        |        |        |  |
|-----------------------|----------------------|--------|--------|--------|--|
|                       | FLOW - GPD/LPH       |        |        |        |  |
|                       | 7/1.1                | 16/2.5 | 26/4.1 | 60/9.5 |  |
| 125/8.6               | 2H                   |        |        |        |  |
| 110/7.6               |                      | 3H     |        |        |  |
| 100/6.9               |                      |        | 4H     |        |  |
| 80/5.5                |                      |        |        | 6H     |  |
| 60/4.1                | 2F                   |        |        |        |  |
| 50/3.4                |                      | 3F     |        |        |  |
| 40/2.8                |                      |        | 4F     |        |  |

⑦

### Control Option

**S** = Standard - Series CTP-A / CTP-D  
**E** = Series CTP-AE  
**T** = 7-Day Mechanical Timer with Series CTP-A  
**R** = 7-Day Mechanical Timer with Series CTP-AE  
**D** = 7-Day Electronic Timer with Series CTP-A / CTP-D  
**C** = 7-Day Electronic Timer with Series CTP-AE

⑧

### Electrical Option

**A** = 115 volts, 60 Hz, with 6 ft. minimum 3-wire power cord with grounded U.S. plug, with agency approvals.  
**B** = 230 volts, 60 Hz, with 6 ft. minimum 3-wire power cord with grounded U.S. plug, with agency approvals.  
**R** = 230 volts, 50 Hz, with 6 ft. minimum 3-wire power cord with grounded plug, European CEE7 right angle.  
**S** = 230 volts, 50 Hz, with 6ft. minimum 3-wire power cord with grounded plug, European CEE7G straight.  
**T** = Swiss 230 volts, 50 Hz, with 6 ft. minimum 3-wire power cord with plug.  
**U** = Australia 250 volts, 50 Hz, with 6 ft. minimum 3-wire power cord with plug.  
**1** = 115 volts, 60 Hz, with 6 ft. minimum 3-wire power cord with grounded U.S. plug. No approvals.  
**2** = 230 volts, 60 Hz, with 6 ft. minimum 3-wire power cord with grounded U.S. plug. No approvals.  
**3** = 230 volts, 50 Hz, with 6 ft. minimum 3-wire European power cord, no plug.

⑨

### Connector Material

**P** = PVC

⑩

### Connection Type

**A** = 1/4" NPT and .25 O.D. tubing connection

⑪

### Head Material

**P** = Polycarbonate

⑫

### Bearing Materials

**1** = Oilite / hardened steel

⑬-⑰

### Options



An ISO Certified Company



A Unit of IDEX Corporation

### Standard Product Operations

27101 Airport Road • Punta Gorda, Florida 33982  
 TEL (941) 575-3800 • TEL 800-333-6677  
 FAX (941) 575-4085 • FAX 800-456-4085  
 spotech@pulsa.com • www.pulsa.com