

The Pulsafeeder Manual Control Polymer Makedown System features a proprietary Static Blending System which provides excellent dilution without harming the polymer chains. These rugged fabricated assemblies offer turn-key simplicity and industrial-grade durability.

The UV-stabilized, high-grade HDPE frame is lightweight, corrosion resistant and offers structural rigidity.

Each system is factory assembled and hydrostatically tested prior to shipment.

**A Wide Range of Dilution** Utilizing three different water flow rates to choose from (0-5 GPM; 5-10 GPM & 10+ GPM) the proprietary design Static Blending System is custom sized to provide outstanding activation of all types of polymers, without the sometimes damaging effects of motorized mixing devices. There are five neat polymer pump flow rates to choose from to get the right size for any application. The Manual Control Polymer Makedown System includes an auto-fill calibration column for easy verification of the exact neat polymer injection rate and an adjustable flow meter for incoming water, enabling exact proportion control. Each system also comes standard with a neat polymer back pressure regulator to maintain a consistent final product.

**Standard Features** A single three position control switch provides for automatic polymer makedown in "Run" mode and allows the operator select "Flush" mode to run only clean water, along with the "Off" position. A "Prime" button activates only the neat polymer pump. The auto-fill plumbing diverts neat polymer to the calibration column for clean and simple calibration.

## Features

- **Open Access System:** Rigid, unitized frame with pre-plumbed schedule 80 PVC piping; great system visibility and open layout means easy servicing.
- **Easy to Install and Operate:** Single control switch for "Off / Flush / Run, and "Prime" button give simple operational control.
- **Proportion Control:** Three different water flow rates to choose from along with five neat polymer pump flow rates for exact application fit.
- **Proprietary Mixing:** The proprietary design Static Blending System is customized providing outstanding activation of all types of polymers.
- **Consistent Control:** Pulsatron neat polymer pump for up to 20,000 CPS, solenoid valve and adjustable flow meter for incoming water, auto-fill calibration column and back pressure control give you consistent, repeatable makedown control.

## Applications

- **Water Clarification:** A wide variety of polymers can be used for clarification flocculants. Used in applications from direct filtering to DAF system skimming, the Pulsafeeder Polymer Makedown System will fit almost any application:
- **Wastewater Treatment**
- **Food & Beverage**
- **Paint Overspray Water Systems**
- **Industrial Process Water Treatment**



## Day Tank Option

- Optional: Conical Bottom Tanks with stand are available from 15-110 gallon.



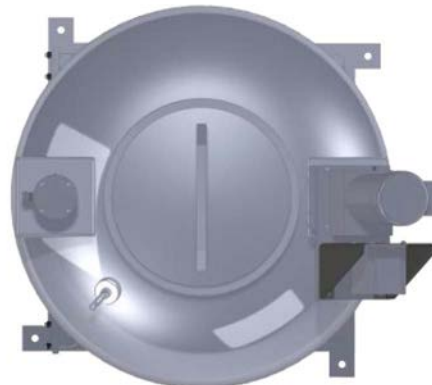
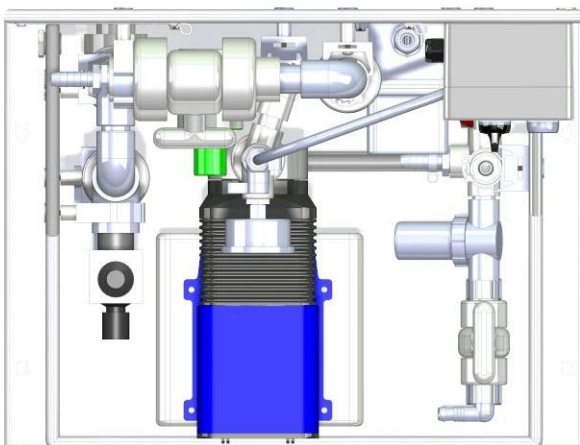
# Polymer Makedown Systems Manual

## Specifications and Model Selection

Polymer Makedown System Manual Control		PESM	C	-	-	S	-	-	-	N	-	XXX
SKID TYPE:	M	Polymer Makedown System										
CONTROL OPTIONS:	C	Manual Control, 115V										
NEAT POLYMER INJECTION PUMP:	A	0.50 GPH - LVB3SA-VTTI-SKD (150 PSI Max)										
	B	1.00 GPH - LVF4SA-VTTI-SKD (150 PSI Max)										
	C	2.00 GPH - LVG4SA-VTS8-SKD (110 PSI Max)										
	D	4.00 GPH - LVG5SA-VTS8-SKD (110 PSI Max)										
	E	10.0 GPH - LVH7SA-WTS8-SKD (80 PSI Max)										
	N	Non-standard: See order for details										
ELASTOMER:	E	EPDM O-rings and Seals										
	V	Viton O-rings and Seals										
PRIMARY MAKEDOWN:	S	Static Mixer, Proprietary Design										
INCOMING WATER FLOW RATE & REGULATOR:	A	0 - 5 GPM Less Pressure Regulator										
	B	5 - 10 GPM Less Pressure Regulator										
	C	10+ GPM Less Pressure Regulator										
	D	0 - 5 GPM with Pressure Regulator										
	E	5 - 10 GPM with Pressure Regulator										
	F	10+ GPM with Pressure Regulator										
TANK CAPACITY - MAKEDOWN POLYMER:	D	Direct Feed, No Tank										
	1	15 Gallon, Conical Bottom with Stand										
	3	30 Gallon, Conical Bottom with Stand										
	4	40 Gallon, Conical Bottom with Stand										
	6	60 Gallon, Conical Bottom with Stand										
	8	85 Gallon, Conical Bottom with Stand										
	9	110 Gallon, Conical Bottom with Stand										
TANK MIXER: (Requires purchase of a Tank Above)	N	No Mixer										
	F	Propeller Mixer, 75 RPM Fixed Speed Motor										
	G	Paddlewheel Mixer, 75 RPM Fixed Speed Motor										
	P	Propeller Mixer, VFD Motor (45-135 RPM)										
	W	Paddlewheel Mixer, VFD Motor (45-135 RPM)										
LEVEL CONTROL:	N	None - Manual Control System										
OPTIONS:	XXX	No Options										

A completed model should look like "PESMCBESDDNN-XXX"

### Top View



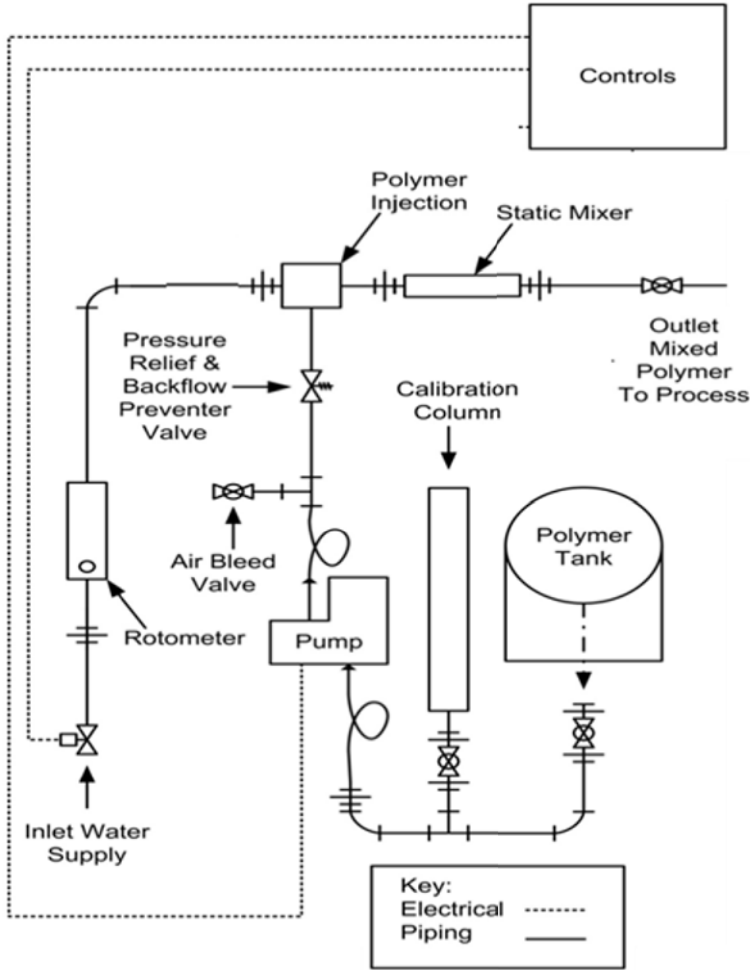
# Polymer Makedown Systems

## Manual Specifications and Model Selection

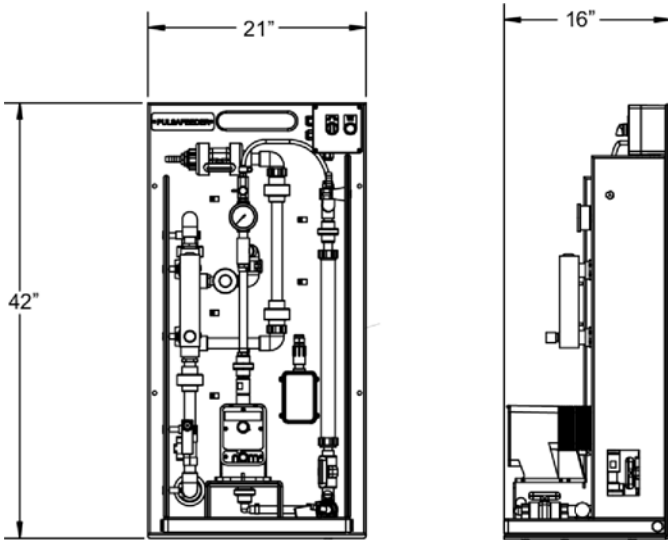
Water Flow Rate (GPM)	Neat Polymer Injection Pump Flow Rate (GPH) to Reach Percent Makedown																			
	0.2%	0.4%	0.6%	0.8%	1.0%	1.2%	1.4%	1.6%	1.8%	2.0%	2.2%	2.4%	2.6%	2.8%	3.0%	3.2%	3.4%	3.6%	3.8%	4.0%
0.2	0.02	0.05	0.07	0.10	0.12	0.14	0.17	0.19	0.22	0.24	0.26	0.29	0.31	0.34	0.36	0.38	0.41	0.43	0.46	0.48
0.4	0.05	0.10	0.14	0.19	0.24	0.29	0.34	0.38	0.43	0.48	0.53	0.58	0.62	0.67	0.72	0.77	0.82	0.86	0.91	0.96
0.6	0.07	0.14	0.22	0.29	0.36	0.43	0.50	0.58	0.65	0.72	0.79	0.86	0.94	1.01	1.08	1.15	1.22	1.30	1.37	1.44
0.8	0.10	0.19	0.29	0.38	0.48	0.58	0.67	0.77	0.86	0.96	1.06	1.15	1.25	1.34	1.44	1.54	1.63	1.73	1.82	1.92
1.0	0.12	0.24	0.36	0.48	0.60	0.72	0.84	0.96	1.08	1.20	1.32	1.44	1.56	1.68	1.80	1.92	2.04	2.16	2.28	2.40
1.2	0.14	0.29	0.43	0.58	0.72	0.86	1.01	1.15	1.30	1.44	1.58	1.73	1.87	2.02	2.16	2.30	2.45	2.59	2.74	2.88
1.4	0.17	0.34	0.50	0.67	0.84	1.01	1.18	1.34	1.51	1.68	1.85	2.02	2.18	2.35	2.52	2.69	2.86	3.02	3.19	3.36
1.6	0.19	0.38	0.58	0.77	0.96	1.15	1.34	1.54	1.73	1.92	2.11	2.30	2.50	2.69	2.88	3.07	3.26	3.46	3.65	3.84
1.8	0.22	0.43	0.65	0.86	1.08	1.30	1.51	1.73	1.94	2.16	2.38	2.59	2.81	3.02	3.24	3.46	3.67	3.89	4.10	4.32
2.0	0.24	0.48	0.72	0.96	1.20	1.44	1.68	1.92	2.16	2.40	2.64	2.88	3.12	3.36	3.60	3.84	4.08	4.32	4.56	4.80
2.2	0.26	0.53	0.79	1.06	1.32	1.58	1.85	2.11	2.38	2.64	2.90	3.17	3.43	3.70	3.96	4.22	4.49	4.75	5.02	5.28
2.4	0.29	0.58	0.86	1.15	1.44	1.73	2.02	2.30	2.59	2.88	3.17	3.46	3.74	4.03	4.32	4.61	4.90	5.18	5.47	5.76
2.6	0.31	0.62	0.94	1.25	1.56	1.87	2.18	2.50	2.81	3.12	3.43	3.74	4.06	4.37	4.68	4.99	5.30	5.62	5.93	6.24
2.8	0.34	0.67	1.01	1.34	1.68	2.02	2.35	2.69	3.02	3.36	3.70	4.03	4.37	4.70	5.04	5.38	5.71	6.05	6.38	6.72
3.0	0.36	0.72	1.08	1.44	1.80	2.16	2.52	2.88	3.24	3.60	3.96	4.32	4.68	5.04	5.40	5.76	6.12	6.48	6.84	7.20
3.2	0.38	0.77	1.15	1.54	1.92	2.30	2.69	3.07	3.46	3.84	4.22	4.61	4.99	5.38	5.76	6.14	6.53	6.91	7.30	7.68
3.4	0.41	0.82	1.22	1.63	2.04	2.45	2.86	3.26	3.67	4.08	4.49	4.90	5.30	5.71	6.12	6.53	6.94	7.34	7.75	8.16
3.6	0.43	0.86	1.30	1.73	2.16	2.59	3.02	3.46	3.89	4.32	4.75	5.18	5.62	6.05	6.48	6.91	7.34	7.78	8.21	8.64
3.8	0.46	0.91	1.37	1.82	2.28	2.74	3.19	3.65	4.10	4.56	5.02	5.47	5.93	6.38	6.84	7.30	7.75	8.21	8.66	9.12
4.0	0.48	0.96	1.44	1.92	2.40	2.88	3.36	3.84	4.32	4.80	5.28	5.76	6.24	6.72	7.20	7.68	8.16	8.64	9.12	9.60
4.2	0.50	1.01	1.51	2.02	2.52	3.02	3.53	4.03	4.54	5.04	5.54	6.05	6.55	7.06	7.56	8.06	8.57	9.07	9.58	10.08
4.4	0.53	1.06	1.58	2.11	2.64	3.17	3.70	4.22	4.75	5.28	5.81	6.34	6.86	7.39	7.92	8.45	8.98	9.50	10.03	10.56
4.6	0.55	1.10	1.66	2.21	2.76	3.31	3.86	4.42	4.97	5.52	6.07	6.62	7.18	7.73	8.28	8.83	9.38	9.94	10.49	11.04
4.8	0.58	1.15	1.73	2.30	2.88	3.46	4.03	4.61	5.18	5.76	6.34	6.91	7.49	8.06	8.64	9.22	9.79	10.37	10.94	11.52
5.0	0.60	1.20	1.80	2.40	3.00	3.60	4.20	4.80	5.40	6.00	6.60	7.20	7.80	8.40	9.00	9.60	10.20	10.80	11.40	12.00
5.2	0.62	1.25	1.87	2.50	3.12	3.74	4.37	4.99	5.62	6.24	6.86	7.49	8.11	8.74	9.36	9.98	10.61	11.23	11.86	12.48
5.4	0.65	1.30	1.94	2.59	3.24	3.89	4.54	5.18	5.83	6.48	7.13	7.78	8.42	9.07	9.72	10.37	11.02	11.66	12.31	12.96
5.6	0.67	1.34	2.02	2.69	3.36	4.03	4.70	5.38	6.05	6.72	7.39	8.06	8.74	9.41	10.08	10.75	11.42	12.10	12.77	13.44
5.8	0.70	1.39	2.09	2.78	3.48	4.18	4.87	5.57	6.26	6.96	7.66	8.35	9.05	9.74	10.44	11.14	11.83	12.53	13.22	13.92
6.0	0.72	1.44	2.16	2.88	3.60	4.32	5.04	5.76	6.48	7.20	7.92	8.64	9.36	10.08	10.80	11.52	12.24	12.96	13.68	14.40
6.2	0.74	1.49	2.23	2.98	3.72	4.46	5.21	5.95	6.70	7.44	8.18	8.93	9.67	10.42	11.16	11.90	12.65	13.39	14.14	14.88
6.4	0.77	1.54	2.30	3.07	3.84	4.61	5.38	6.14	6.91	7.68	8.45	9.22	9.98	10.75	11.52	12.29	13.06	13.82	14.59	15.36
6.6	0.79	1.58	2.38	3.17	3.96	4.75	5.54	6.34	7.13	7.92	8.71	9.50	10.30	11.09	11.88	12.67	13.46	14.26	15.05	15.84
6.8	0.82	1.63	2.45	3.26	4.08	4.90	5.71	6.53	7.34	8.16	8.98	9.79	10.61	11.42	12.24	13.06	13.87	14.69	15.50	16.32
7.0	0.84	1.68	2.52	3.36	4.20	5.04	5.88	6.72	7.56	8.40	9.24	10.08	10.92	11.76	12.60	13.44	14.28	15.12	15.96	16.80
7.2	0.86	1.73	2.59	3.46	4.32	5.18	6.05	6.91	7.78	8.64	9.50	10.37	11.23	12.10	12.96	13.82	14.69	15.55	16.42	17.28
7.4	0.89	1.78	2.66	3.55	4.44	5.33	6.22	7.10	7.99	8.88	9.77	10.66	11.54	12.43	13.32	14.21	15.10	15.98	16.87	17.76
7.6	0.91	1.82	2.74	3.65	4.56	5.47	6.38	7.30	8.21	9.12	10.03	10.94	11.86	12.77	13.68	14.59	15.50	16.42	17.33	18.24
7.8	0.94	1.87	2.81	3.74	4.68	5.62	6.55	7.49	8.42	9.36	10.30	11.23	12.17	13.10	14.04	14.98	15.91	16.85	17.78	18.72
8.0	0.96	1.92	2.88	3.84	4.80	5.76	6.72	7.68	8.64	9.60	10.56	11.52	12.48	13.44	14.40	15.36	16.32	17.28	18.24	19.20
8.2	0.98	1.97	2.95	3.94	4.92	5.90	6.89	7.87	8.86	9.84	10.82	11.81	12.79	13.78	14.76	15.74	16.73	17.71	18.70	19.68
8.4	1.01	2.02	3.02	4.03	5.04	6.05	7.06	8.06	9.07	10.08	11.09	12.10	13.10	14.11	15.12	16.13	17.14	18.14	19.15	20.16
8.6	1.03	2.06	3.10	4.13	5.16	6.19	7.22	8.26	9.29	10.32	11.35	12.38	13.42	14.45	15.48	16.51	17.54	18.58	19.61	20.64
8.8	1.06	2.11	3.17	4.22	5.28	6.34	7.39	8.45	9.50	10.56	11.62	12.67	13.73	14.78	15.84	16.90	17.95	19.01	20.06	21.12
9.0	1.08	2.16	3.24	4.32	5.40	6.48	7.56	8.64	9.72	10.80	11.88	12.96	14.04	15.12	16.20	17.28	18.36	19.44	20.52	21.60
9.2	1.10	2.21	3.31	4.42	5.52	6.62	7.73	8.83	9.94	11.04	12.14	13.25	14.35	15.46	16.56	17.66	18.77	19.87	20.98	22.08
9.4	1.13	2.26	3.38	4.51	5.64	6.77	7.90	9.02	10.15	11.28	12.41	13.54	14.66	15.79	16.92	18.05	19.18	20.30	21.43	22.56
9.6	1.15	2.30	3.46	4.61	5.76	6.91	8.06	9.22	10.37	11.52	12.67	13.82	14.98	16.13	17.28	18.43	19.58	20.74	21.89	23.04
9.8	1.176	2.352	3.528	4.704	5.88	7.056	8.232	9.408	10.584	11.76	12.936	14.112	15.288	16.464	17.64	18.816	19.992	21.168	22.344	23.52
10.0	1.2	2.4	3.6	4.8	6	7.2	8.4	9.6	10.8	12	13.2	14.4	15.6	16.8	18	19.2	20.4	21.6	22.8	24

Guide	LVB3	LVF4	LVG4	LVG5	LVH7	Not Covered by HV Pumps
-------	------	------	------	------	------	-------------------------

# Polymer Makedown Systems Manual PNID



## Dimensions



[pulsafeeder.com](http://pulsafeeder.com)



27101 Airport Rd  
 Punta Gorda, FL 33982  
 Phone: ++1(941) 575-3800  
 Fax: ++1(941) 575-4085



An ISO 9001 and ISO 14001 Certified Company

PMM001 J13